

**AMA / EC Key Features:**

The single unit digital source equipment provides:

- 2 channels of analog broadcast video (Encrypted for pre-released content)
- Storage space for up to 80 movies (MPEG 2 @1.5 Mb/sec data rate)
- 16 stereo channels of broadcast analog audio
- Storage space for thousands of music titles
- PaxMap moving map display
- Fast easy upload available through controller including: removable hard drive, DVD and USB flash drive
- Simple, intuitive manual controls through bulkhead mounted controller and data loader

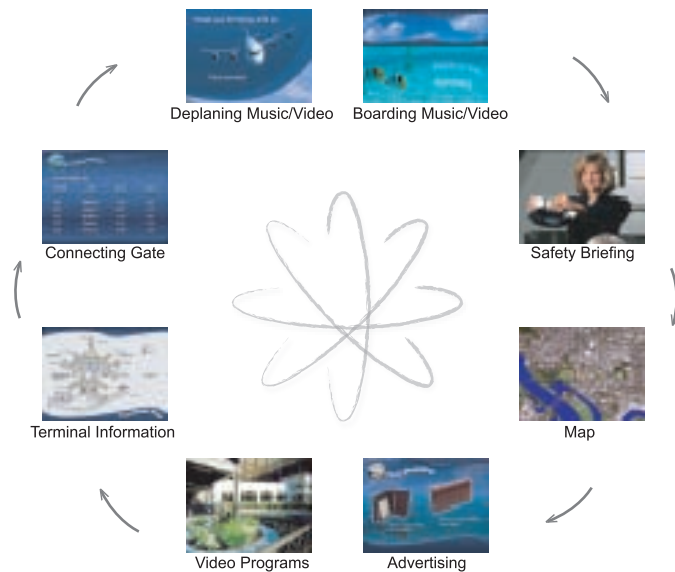
**All in one 4 MCU unit.**

Providing a potential annual savings of over \$50,000 per aircraft  
Up to 52lbs weight reduction

**Script Editor Key Features:**

Intheairnet also offers the Script Editor Tool which will allow airlines to fully edit its map displays including;

- City pair map scripting
- City pair audio and video scripting
- Changing text translations, font, color
- Change imagery



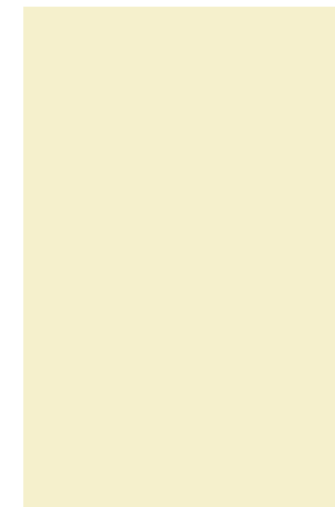
## Intheairnet Featured Products



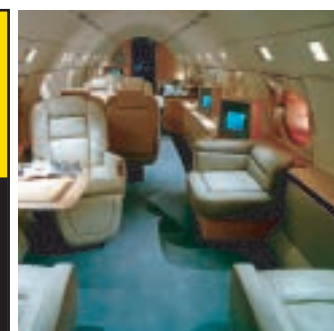
Interactive Map



Satellite Television



Audio/Video on Demand



Cabin Management

## Sharkfin Description

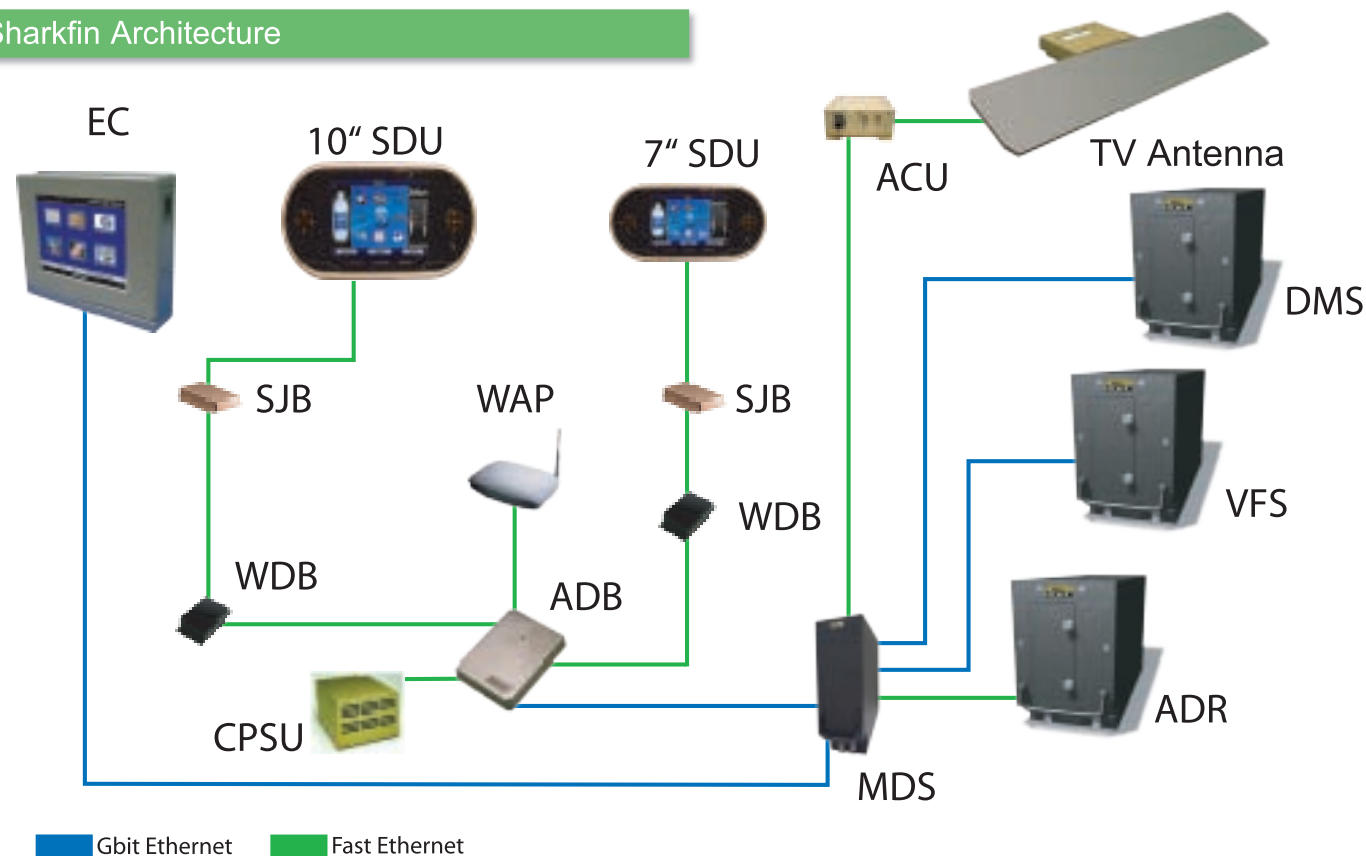
An In-Flight entertainment and communication system designed specifically to cater to the need of the service conscious 'emerging' carriers flying medium to short haul single aisle narrow body Airbus, Boeing and Regional Jets

Intheairnet offers a system with full functionality i.e. AVOD, games, shopping, moving maps, and live satellite TV at every seat at a comparable per seat weight, power and cost of competitive systems without TV. ( 3.5 lbs. & 13.65 watts per seat - 144 seat system)

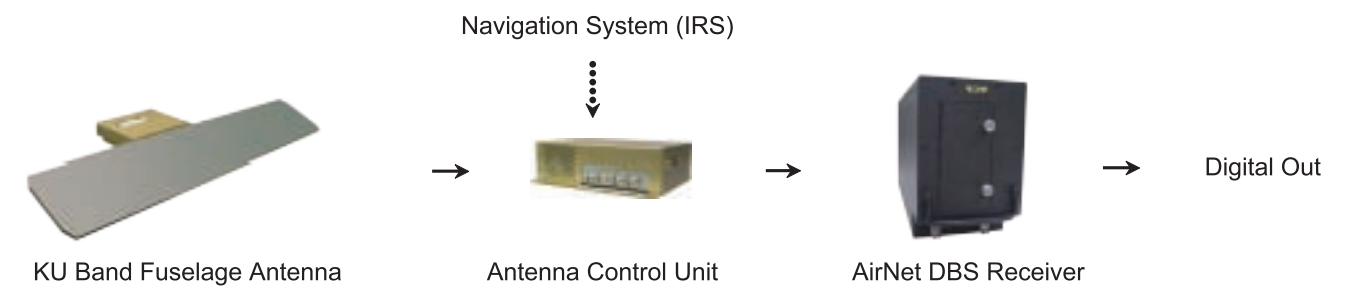
## Sharkfin Components

- > **ACU** - Antenna Control Unit
- > **ADB** - Area Distribution Box
- > **ADR** - Airnet DBS Receiver
- > **CPSU** - Central Power Supply Unit
- > **CS** - Communication Server
- > **DMS** - Digital Media Server
- > **EC** - Entertainment Controller
- > **MDS** - Media Distribution Switch
- > **SJB** - Seat Junction Box
- > **VFS** - Video File Server
- > **WAP** - Wireless Access Point
- > **WDB** - Wall Disconnect Box

## Sharkfin Architecture



## Television Architecture



## Industry Leading Fuselage Antenna

- > Lowest profile available (6.85" high x 31" diameter)
- > Lowest weight 15 lbs
- > Lowest power 70 watts
- > Achieves 15 to 90 degrees elevation coverage
- > Maintenance free

## Next Generation AirNet International Receiver

- > Smallest available airborne TV receiver
- > Standard 4 MCU package
- > Weight 11 lbs, Power 80 watts
- > Higher signal availability, faster satellite acquisition
- > Excellent regional signal transitions
- > Modular design configurations
- > 6 ch. receivers for Europe, Middle East, and Asia
- > Dual streaming digital and standard analog video outputs
- > Automatic switchover authorization for access
- > Access modules (cam) authorized via satellite

## Most Reliable Antenna Control Unit

- > Small lightweight package
- > Size Approx 8.5" x 7.5" x 2.5"
- > Weight 3.5 lbs, Power 3.5 watts
- > Capable of operating in extreme environmental conditions
- > Advanced steering and multiple satellite tracking software
- > 10/100 Ethernet interface for Bite/Status/Control
- > Self-alignment for easy installation of antenna